

# 0/1-10V & Push Dimmer

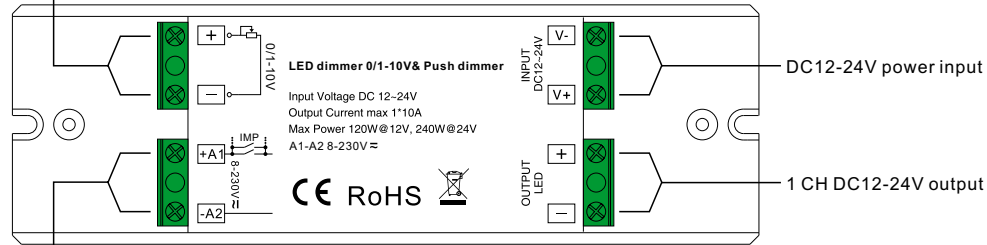
09.2006P.04710



**Important:** Read All Instructions Prior to Installation

## Function introduction

0/1-10V signal input



8-230V ~ push switch

## Product Data

Input Voltage	Output Current	Output Power	Remarks	Size(LxWxH)
12-24VDC	1x10A	1x(120-240)W	Constant voltage	145x46.5x16mm

- With 1 Channel 0/1-10V signal Input, 1 Channel PWM Output
- Mini Size, High Output Current
- 1 Channel, 10A/CH Output
- Ultra-pro Push Dim Function
- Great Compatibility with Universal 8V-230V Input Push Switches
- Directly Support Both AC and DC Input Push Switches
- 0/1-10V Dimmer Function While Controlled by 0/1-10V Signal
- Waterproof grade: IP20

## Safety & Warnings

- DO NOT install with power applied to device.
- DO NOT expose the device to moisture.

## Operation

This product supports both 0/1-10V control and push dimmer function while connected with 0/1-10V signal and AC push switches respectively.

### Push Dimmer

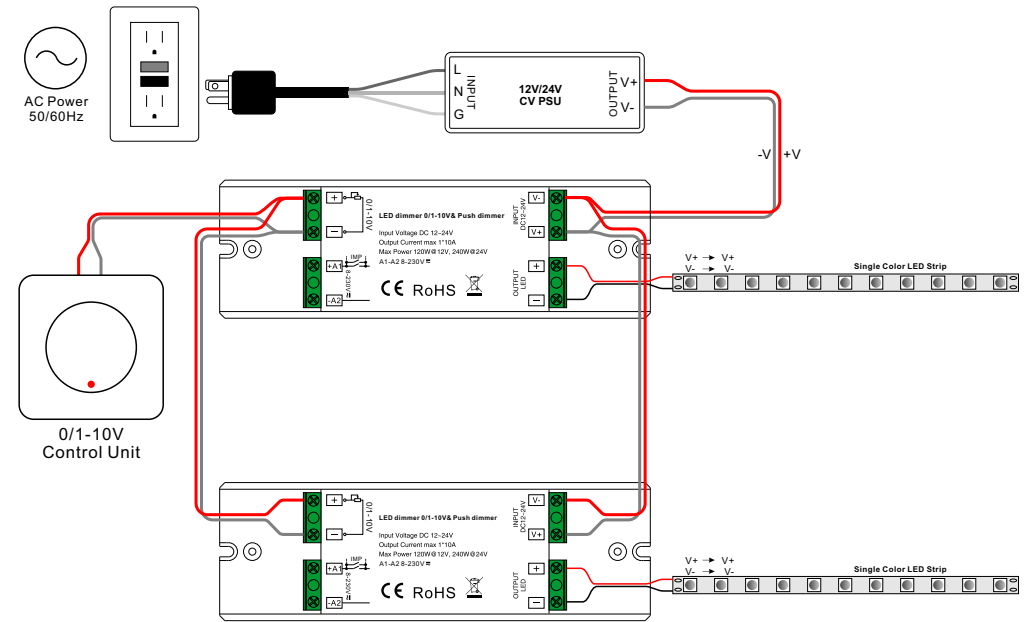
Click the button to switch ON/OFF

Press and hold down the button to increase or decrease light intensity to desired level and release it, then repeat the operation to adjust light intensity to opposite direction.

Note: DO NOT connect and use 0/1-10V and Push Dimmer simultaneously, just choose either of them to control.

## Wiring Diagram

1. Control by 0/1-10 V control unit



2. Control by push switch

