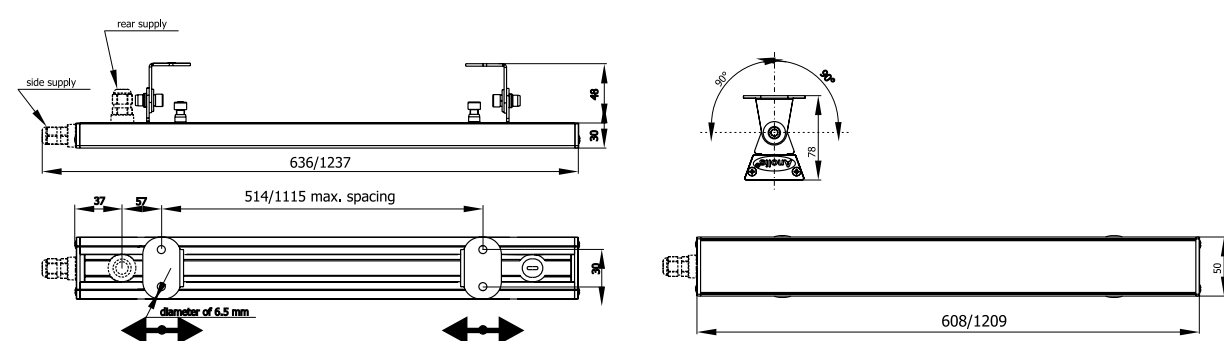


# ARCLINE 20MC, 40MC

- FEATURES**
- Fixing method: mounting bracket
  - Power supply required: ARCPower 36, 72, 144, 360, RackMount384
  - Available beam angles: non optics (98°)
  - Ingress protection rating: IP2X
  - Light source: high power MC (Multi-Chip)
  - Long lifetime: 60000 hours / L70
  - Material: precision extruded aluminium, transparent cover made of frosted glass
  - Operating ambient temperature range: -20°C / +40°C
  - Operating temperature: +53°C @ ambient: 40°C
  - LED color variants: RGBW
  - Passive cooling for optimum thermal management
  - Maintenance free
  - Environment friendly (no hazardous material content)
  - Almost no UV and IR radiation
  - Cable type: Cat 5e 1,5m with RJ45 male connector
  - Weight: 0,9 kg / 1,7 kg



## STANDARD



Type	optical system	power (W)	color temperature CCT (K)	beam angle	thermal management PASSIVE
ARCLINE 20MC	Lenses	max. 22	RGBW	98°	•
ARCLINE 40MC	Lenses	max. 44	RGBW	98°	•